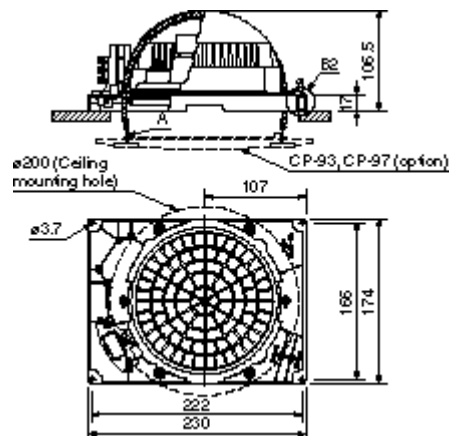


TOA CM-960 (6W)

Separate Type Ceiling Speakers



- Domed flush-mount 12cm dynamic cone speaker.
- Speaker protected by hard cover.
- Plug-in connectors for quick wire hook-up.
- Two-branch type bridging terminal for bridging speaker lines.
- Easy coil spring catch for installing front grille.



Specifications	
Rated Input	6W
Rated impedance	1.7k ohms (6W), 3.3k ohms (3W) [(6.7k ohms (1.5W), 13k ohms (0.8W): Internal wiring must be changed]
Sensitivity	92dB (1W/1m)
Frequency Response	100 - 12,000Hz
Speaker Component	16cm dynamic cone-type speaker
Dimensions for Fixing Hole	Mounting hole; \varnothing 200m Ceiling thickness; Max. 50mm
Speaker Mounting Method	Spring catch
Applicable Cables	600V vinyl-insulated cable (1V wire or HIV wire) Solid copper wire; \varnothing 0.8 - \varnothing 1.2mm 7-core twisted copper wire; 0.75 - 1.25mm ²
Connection	Push-in connector (bridging and branch connections possible)
Finish	Grille: Fire-resistant, high-impact styrene resin (resin)

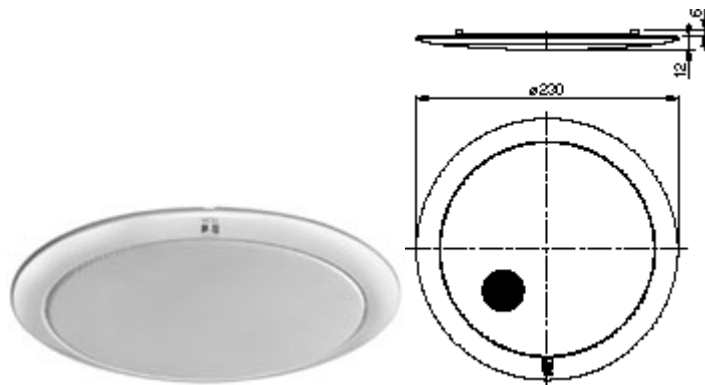
	material grade; UL94 V-0 or its equivalent), black
Dimensions	235 (W) × 174 (H) × 106.5 (D)mm
Weight	850g
Optional Applicable Panels	CP-93 and CP-97

Note: Do not the speaker with heat insulating material sound absorbing material mounted.

Ensure that the speaker is kept away from the heat insulating material.

TOA CP-93/CP-97

Front Grille for CM-960



CP-93/CP-97	
Speaker Mounting Method	Spring catch
Finish	CP-93: Frame; ABS resin, off-white/Net; Aluminium, off-white, paint CP-97: Ream; Metal, off-white/Net; Aluminium, off-white, paint
Dimensions	ø230 × 12 (D) (exposed section)mm
Weight	100g